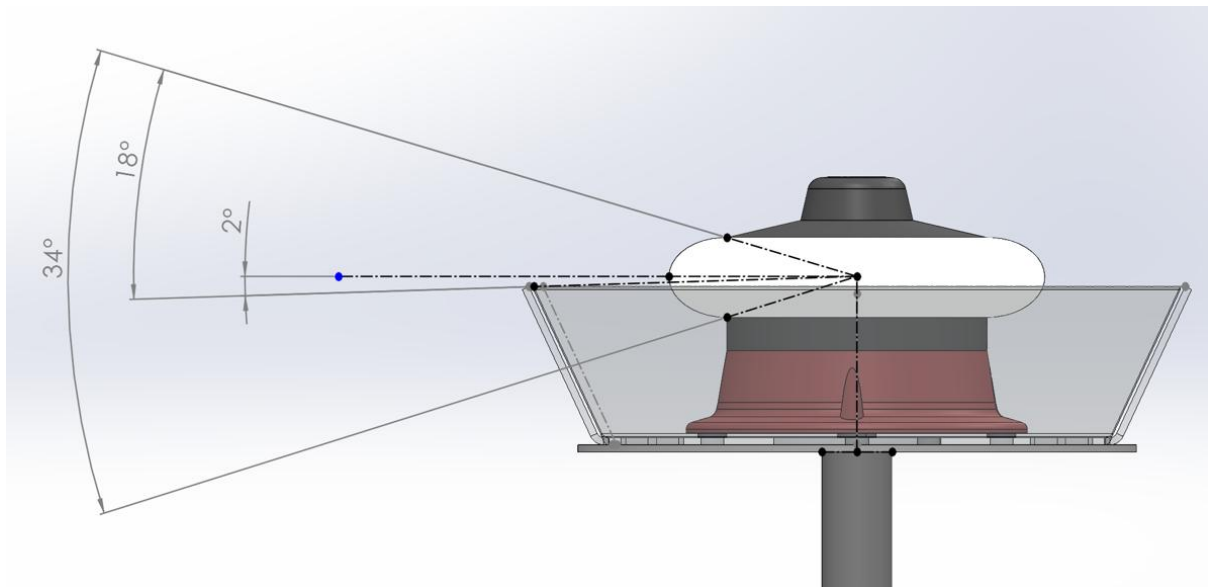
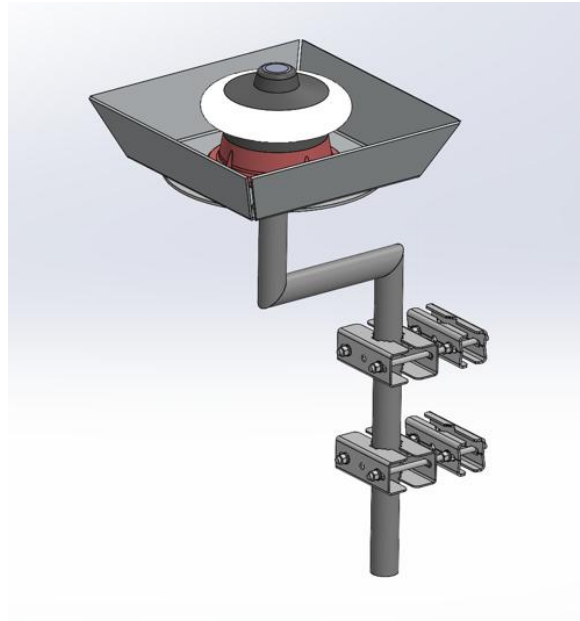
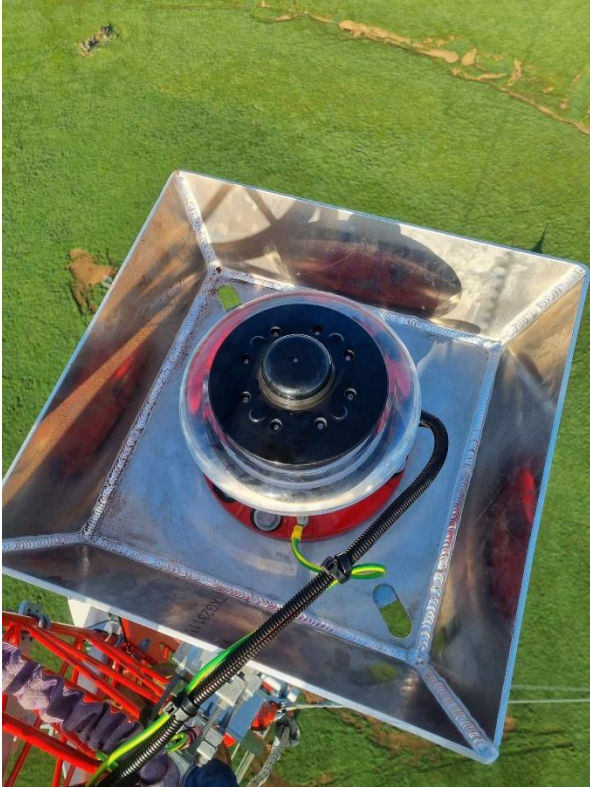


RECEIVED
02/04/2026
TOOWOOMBA
REGIONAL COUNCIL



APPENDIX E – AVIATION SAFETY LIGHTING & SHROUDING

Appendix E – Aviation Safety Lighting and Shrouding



The **AV-OL-MI** is a next-generation light certified with ICAO Medium Intensity Type B or C requirements, for obstructions between 150 ft and 350ft / 46 m and 106 m above ground level.

Key Features:

- Concurrent Visual and Infrared output
- Internal diagnostics and alarm contact for remote monitoring
- Universal Mains (AC) or DC Input
- User configurable I/O
- Adjustable operation mode

Optional



Controller



Solar



Mounting



Concurrent visual and infrared output

The increasing prevalence of NVG assisted operations in ICAO markets means concurrent visual and infrared is now standard.

Internal diagnostics and alarm contact for remote monitoring

The new Medium Intensity lights meet new standards for alarming for both visible and IR outputs as well as photocell status. This all interfaces to the Obstruction Lighting Controller which can be optioned with SATCOM or GSM remote monitoring and can be managed via Star2M.

Universal Mains (AC) or DC Input

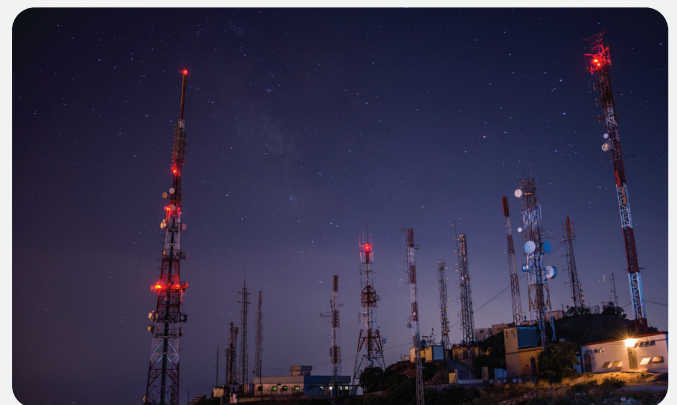
The Medium Intensity light is applicable to a wide range of applications and installation configurations, so it has been designed for a wide input voltage range. Support for higher voltages is critical in order to optimise cabling and power characteristics.

User configurable I/O

The AV-OL-MI includes discrete inputs and outputs in order to meet monitoring requirements as well as provide easy compatibility with obstruction lighting controllers.

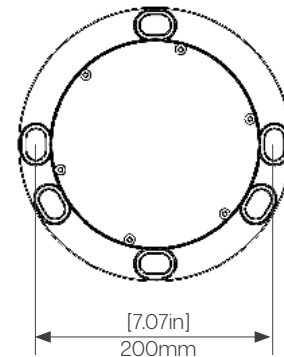
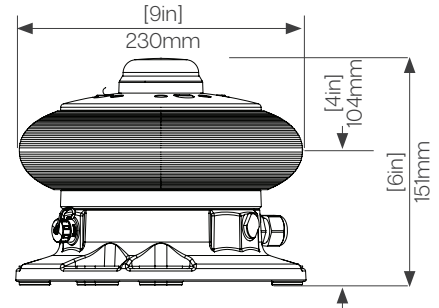
Adjustable operation mode

The Medium Intensity Obstruction Light can be adjusted between either Day and Night or Always On (24 hours) to suit your application.



	DC	UM
Light Characteristics		
Light Source	LED	
Colour	Red/IR	
Peak intensity (cd)	Complies with ICAO Medium Intensity Type B and C	
Horizontal Output (degrees)	360	
Vertical Divergence (degrees)	As per ICAO specifications	
Reflector Type	Multi LED Optic	
Operation Mode Adjustment	User adjustable between dusk till dawn and 24 hour operation	
LED Life Expectancy (hours)	<100,000	
Electrical Characteristics		
Operating Voltage	24-48 VDC	90-264 VAC - 50/60 Hz
Peak Power (W)	60 W	80 VA
Average Power (W)	Type B: 8 W Type C: 25 W L-864: 7 W	Type B: 12.3 VA Type C: 38.5 VA L-864: 10.8 VA
Circuit Protection	Integrated	
Temperature Range	-40 to 55°C	
Physical Characteristics		
Body Material	7-stage powder-coated aluminium	
Lens Material	Impact modified UV stabilized acrylic	
Lens Diameter (mm/inches)	230 / 9	
Mounting (mm/inches)	200 / 7.07 bolt pattern	
Height (mm/inches)	151 / 6	
Width (mm/inches)	230 / 9	
Mass (kg/lbs)	5.5 / 12.3	
Service Life	12 years plus	
Environmental Standards		
Shock	MIL-STD-202G, Test Condition G, Method 213B	
Vibration	MIL-STD202G, Test Condition B, Method 204	
Wind Speed	Up to 240 kph / 150 mph	
Humidity	0 to 100%	
Compliance		
EMC	EN61000-6-4:2019 EN61000-6-2:2019	
Quality Assurance	ISO9001:2015	
ICAO	Medium Intensity Obstruction Light - Type B and C	
Other		
Warranty	5 year warranty	
Options Available	Add on solar system for DC variant. Mounting accessories. Obstruction Controller with SATCOM or GSM available. Turn-key kit based on structure.	
Terms and Conditions	Please refer to the light installation manual for further specifications. Warranty Terms and Conditions - www.avlite.com	

Technical Illustrations



Ordering This Product

AV-OL-MI-[XX]-[XX]



- 1 Product Number**
- 2 Input Power**
UM Universal Mains Input (AC)
DC DC Input
- 3 Option Configuration**
00 Base Build, No Configuration
01 ICAO Medium Intensity Type B
02 ICAO Medium Intensity Type C



Want to monitor, maintain, manage and control your assets? [Click here](#)